

# WAVEGUIDE TO TYPE N ADAPTER



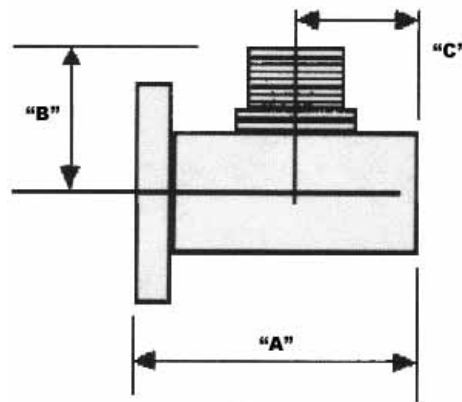
Your Trusted Source for Satellite Equipment



- C-Band, Extended C-Band, Insat Band
- WR137 to Type N (ADP-WR137NF)
- Adapt from coaxial to waveguide or vice versa
- Conversion Coated to Prevent Corrosion

ADP-WR137NF

SPECIFICATIONS	ADP-WR137NF
WR Size	137
Frequency (GHz)	5.700 – 7.025
Connector Style	N Female
Flange	CPRG
VSWR	1.4:1
Material	Aluminum
Finish	Conversion Coated to Prevent Corrosion
Dimension A (Max)	1.65
Dimension B	1.27
Dimension C	0.57



ADAPTERS\_ADP-WR137NF\_REV004  
Specifications are subject to change without notice